



medical **ECONET**
GERMANY



mex+100

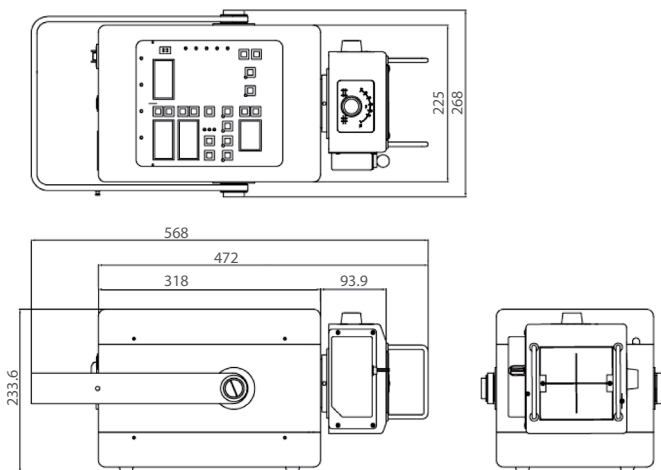
Most powerful compact portable X-ray

- High power output: 5kW, 110 kV / 100 mA
- Equipped with interface for generator control
- High-performance capacitor for stable and reliable power supply
- Anatomic program for different body areas and sizes
- 330 pre-set technique slots (PROM memory)
- LED display for set up of kV and mAs

Specifications

Model	meX+100	
Output	Tube vol. / current	110 kV / 100 mA
	Voltage range	40 - 110 kV, 1 kV step
	mAs range	0,1 - 100 mAs, 40 steps
	Max. output	5,0 kW@75 kV
X-ray tube	Application	OX 110-3 (C.E.I.)
	Focal spot	1,5 mm
	HU capacity	76 kHU
	Cooling rate	57 kW/s
Collimator	Min. light field	5 cm x 5 cm @ 1 m SID
	Max. light field	47 cm x 47 cm @ 1m SID
	Lamp	LED
	Auto timer	30 sec
	SID scale lenght	2 m
	Laser pointer	Dual Laser
Power	Input	100 - 240 VAC (Free-Voltage)
	Frequency / phase	50 / 60 Hz, single phase
	Voltage compensation	± 10 %
Control Panel	7 - segment LED read - out reversible, Hand switch remote control function Digital LED display: mAs & KV Remote control software & PROM Programmable pre - set technique Data storage & store button LED indicator: ready & exp. wait	
Weight	20,5 kg	
Dimensions (W x H x L)	254 x 225 x 423	
Special features	330 APR	

Dimensions (mm)



Optional Accessories

PXMS - 2010



- Easy handling by gas spring technology
- Max. height of 210 cm

- Folding and easy to transport



Standard Accessory

Carrying Case



medical **ECONET**

Im Erlengrund 16, 46149 Oberhausen - Germany

t: +49 (0) 208 377 890-0 info@medical-econet.com
f: +49 (0) 208 377 890-55 www.medical-econet.com
facebook.com/medicaleconetgermany
twitter.com/medicaleconet

Distributor

CE 0123

*Changes and errors without notice.

ME-ENG-H-25-MEX100-05-24